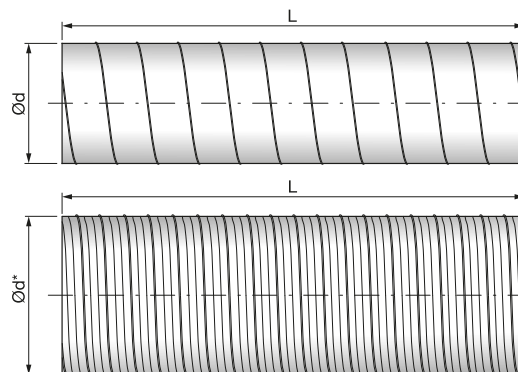


Circular duct

SRSS



Dimensions



Description

Circular duct.

The product is CE marked according to EN 12101-7 and used in a circular smoke control system - single compartment (see declaration of performance).

Classification according to EN13501-4

E600 120 (h_o) S 1500 single

Order code

Product	SRSS
Dimension Ød	200
Length	3000

Order example: SRSS-200-3000

Ød _{nom} std mm	O rd m	A πd ² /4 m ²	L std mm	m std kg/m
100	0,31	0,008	3000	1,02
112	0,35	0,010	3000	1,14
125	0,39	0,012	3000	1,25
140	0,44	0,015	3000	1,43
150	0,47	0,018	3000	1,53
160	0,50	0,020	3000	1,64
180	0,57	0,025	3000	2,04
200	0,63	0,031	3000	2,27
224	0,70	0,039	3000	2,54
250	0,79	0,049	3000	2,84
280	0,88	0,062	3000	3,58
300	0,94	0,071	3000	3,83
315	0,99	0,078	3000	4,02
355	1,12	0,099	3000	4,54
400	1,26	0,126	3000	5,67
450	1,41	0,159	3000	8,30
500	1,57	0,196	3000	9,23
560	1,76	0,246	3000	10,3
600	1,89	0,283	3000	11,1
630	1,98	0,312	3000	11,6
710	2,23	0,396	3000	13,1
800	2,51	0,503	3000	14,8
900	2,83	0,636	3000	21,7
1000	3,14	0,785	3000	24,1
1120	3,51	0,985	3000	38,2
1250	3,92	1,22	3000	42,6
1400	4,39	1,53	2400	47,5
1500	4,71	1,76	2400	50,9
1600	5,02	2,01	2400	54,3

* Dimensions 250-1600 incorporates outturned stiffening corrugation, which serves to increase radial stiffness.

Circular duct

SRSS

Technical data

